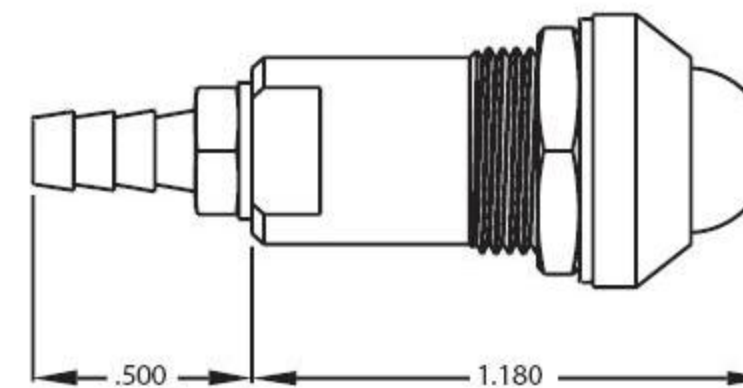




INDUSTRIAL SPECIALTIES MFG.

4091 S. Eliot St., Englewood, CO 80110-4396 • 303-781-8486 FAX: 303-761-7939 • www.industrialspec.com

Pressure Indicator



Specifications

The Pressure Indicator promotes a compact design with multiple configurations to observe the presence of pressure. The Pressure Indicator lens displays clear in the absence of pressure and displays bright when activated at approximately 5 psi. Air Indicators are available with Red or Green Display and Black, White or Gray Panel Mount Bezel. The Panel Mount Pressure Indicator requires a .500 hole and is supplied with one Electroless Nickel Plated Panel Nut and lock washer.

Body & Piston: Electroless Nickel Plated Brass
Spring: 302 Stainless Steel

Maximum Operating Pressure – 0 - 125 psi
Minimum Operating Pressure – 10 psi
Maximum Operating Temperature – Ambient

Options

Connections-- 1/16" Hose Barb, 3/32" Hose Barb, 1/8" Hose Barb,
10-32 Male UNF, 1/8" Female NPT

Bezel-- Black ABS, Gray ABS

Indicator-- Red ABS, Green ABS